

# CHANGE ORDER

AIA DOCUMENT G701

OWNER   
 ARCHITECT   
 CONTRACTOR   
 FIELD   
 OTHER

PROJECT: HVAC Improvements at Brick Township High School  
 (name, address) 346 Chambers Bridge Road  
 Brick, NJ 08723

CHANGE ORDER: 22  
 DATE: September 12, 2017  
 PROJECT NO. 2759  
 (ARCHITECT'S)  
 CONTRACT DATE: February 25, 2015  
 CONTRACT FOR: HVAC

TO: AMCO Enterprises, Inc  
 (name, address) 600 Swenson Drive  
 Kenilworth, NJ 07033

The Contract is to be changed as follows:

Provide and labor & materials to install (02) Glycol Monitoring systems with a complete package and additional glycol of (110) gallons to fill out BOTH the Monitoring systems for both the East and West Boiler Rooms.

This change is necessary in order to assist in final close out of the contract and obtain a final Certificate of Approval from the Brick Township Building Department. It will be the District's responsibility to purchase future supplies of Deionized Water and Aluminum Certified Glycol in order to maintain the system after the Contractor's initiation of the system.

**Amount to be added from the Contract is \$22,313.26**

**Not valid until signed by the Owner Architect and Contractor.**

The original <b>Contract Sum</b> was.	<b>\$4,458,000.00</b>
Net change by previously authorized Change Orders.	<b>\$266,540.33</b>
The Contract Sum prior to this Change Order was.	<b>\$4,724,540.33</b>
The Contract Sum will be <b>increased</b> by this Change Order in the amount of.	<b>\$22,313.26</b>
The new Contract Sum including this Change Order will be.	<b>\$4,746,853.59</b>

The Contract Time will be **unchanged** by . (0) days  
 The date of Substantial Completion as of the date of this Change Order therefore is **Unchanged**

NOTE: This summary does not reflect changes in the Contract Sum, Contract Time or Guaranteed Maximum Price which have been authorized by the Construction Change Directive.

**DI CARA | RUBINO ARCHITECTS**  
 ARCHITECT  
 30 GALESI DRIVE  
 WAYNE, NJ 07470

**AMCO ENTERPRISES, INC**  
 CONTRACTOR  
 600 SWENSON DRIVE  
 KENILWORTH, NJ 07033

**BRICK TOWNSHIP BOARD OF EDUCATION**  
 OWNER  
 101 HENDRICKSON AVENUE  
 BRICK, NJ 08724



BY: ROBERT M. IAMELLO, AIA

DATE: SEPTEMBER 12, 2017



BY: AMIT THAKKER, VP OPERATIONS

DATE: 9/12/17

BY: JAMES EDWARDS, BA

DATE:



Sales, Service, & Installation of HVAC Systems & Mechanical Work

## CHANGE ORDER PROPOSAL #27 GLYCOL MONITORING SYSTEM

December 29, 2016

Sent via email and 1<sup>st</sup> class mail

DICARA | RUBINO ARCHITECTS  
30 Gatesi Drive  
Wayne, New Jersey 07470

Attn: Robert Iamello

Re: HVAC Upgrades @ Brick Township High School

Robert,

AMCO Enterprises, Inc. respectfully submits the following Change Order proposal associated with providing and installing (02) Glycol Monitoring Systems (one each for EAST & WEST Boiler Rooms).

The major items of scope of work (typical for EAST & WEST Boiler Rooms) include:

1. Furnish and install a "Wessels company" Glycol Monitoring System- product data is attached (*Engineer- please confirm that the proposed Glycol Make up Package Unit is acceptable. As shown on attached product data, GMP will have a local alarm- and the Facility will be responsible to monitor Glycol Solution*). Wessels Glycol Make-up Package (GMP-15050) includes a Factory Piped and Wired 50 Gallon Tank, Pump, Low Water Cut-off Alarm, and Controls. Existing Piping system will be interrupted to connect piping to GMP.
2. Provide electrical power wiring for GMP. Connect to a spare circuit in Panelboard located within Boiler Room.
3. Provide (01) Barrel of Glycol and (03) Barrels of Dionized Water to fill up GMP Tank for BOTH Boiler rooms.
4. A Concrete Pad is not proposed- to save the cost- please advise if a concrete pad is required.

**Total ADD COST: \$ 22,327.35**

**Labor (for both EAST & WEST Boiler Rooms):**

Install GMP and piping (2 men x 16 hrs. @ \$119.11)	\$ 3,811.52
Coordination/Supervision – (4 hrs. @ \$125.00)	\$ 500.00

**Material (for both EAST & WEST Boiler Rooms):**

Glycol Monitoring Units (see attached Quote from Wallace Eannace)	\$ 9,600.00
Piping and Valving	\$ 200.00

Barrel (01) of Glycol Solution (see attached Quote from F. W. Webb)	\$ 813.73
Barrels (03) of Dionized Water (\$ 150 per barrel of 55 gallon)	\$ 450.00

Subcontractors (for both EAST & WEST Boiler Rooms):

TZ Electric (Power for GMP)	<u>\$ 4,466.00</u>
-----------------------------	--------------------

Subtotal	\$ 19,841.25
O&P (10%)	\$ 1,984.12
Bond 2.3%	\$ 501.98
<b>Total:</b>	<u><del>\$ 22,327.35</del></u>

If you have any questions, feel free to contact us.

Regards,  
*Amit Thakkar*  
 Amit Thakkar  
 AMCO Enterprises, Inc.

*9/18/17*  
 \$22,313.26  
 FINAL AGREED  
 AMOUNT.  
 JR/RI/KT

Enclosure: GMP Quote/Product Data from Wallace Eannace (05 pages)  
 Glycol Solution Quote from F. W. Webb (01 page)  
 Change Order Proposal from TZ Electric (04 pages)

**CLARIFICATIONS:**

Please note that following items are NOT included in this change order.

- 1) No water balancing, trenching, excavation, backfilling, gravel, or digging.
- 2) Additional cost due to unforeseen conditions. AMCO will submit separate cost proposal for any additional work due to unforeseen conditions.

APPROVED & ACCEPTED BY: \_\_\_\_\_

APPROVED AMOUNT: \_\_\_\_\_

APPROVED DATE: \_\_\_\_\_

SIGNED BY: \_\_\_\_\_

**WALLACE EANNACE ASSOCIATES, INC.**



**High Efficiency Boilers & Water Heaters**



**Bell & Gossett**  
a xylem brand

Quotation No. 16H-1222-1PG

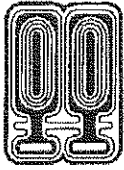
**779 Susquehanna Avenue**  
**Franklin Lakes, NJ 07417**  
Phone **201-891-9550**  
Fax: **201-891-4298**  
Job: **Brick High School**  
TO: **AMCO**  
ATTN: **Mike/Amit**

Quote Date: **12/22/2016**  
Date: **12/23/2016**  
Terms:  
Freight: **Full Freight Allowed**  
Location:  
Job Zip:  
Engineer: **None Selected**

We are pleased to quote the following equipment. Freight terms are F.O.B. Factory. Expedited service, tailgate lift or any other special delivery service, if available, is at extra cost. WALLACE EANNACE ASSOCIATES, INC. Standard Terms & Conditions of Sale are applicable at all times. CUSTOMER IS RESPONSIBLE TO REVIEW QUOTATION FOR CONFORMANCE WITH JOB SCOPE & to verify quantities and line items. Unless specifically stated otherwise ITEMS QUOTED ARE NOT SEISMIC CERTIFIED; COMPLETE EXCEPTION IS TAKEN FORTHWITH. This quotation is valid for 30 days after issuance. ORDERS RELEASED BEYOND 30 DAYS AFTER RECEIPT OF ORDER ARE SUBJECT TO PRICES IN EFFECT AT THE TIME OF RELEASE.

Qty	Description & Tag	Total Net Price
	<b>WESSELS GLYCOL MAKE UP UNITS</b>	
2	Wessels Pckg d Glycol (Simplex) Makeup Unit w/50 GAL tank- 1/2HP pump- Press Sw Model No. GMP 15050 1/2 HP-50GAL	
	<b>Total WESSELS GLYCOL MAKE UP UNITS</b>	<b>\$9,600.00</b>

Please call on any of our Plan & Spec professionals for technical or ordering assistance:  
Ginny MacMahon, Marieth Lopez, Paul Gugger, Stephen Martin, Julian Ocejo, PE, Jose Rodriguez, PE, Craig Czapnik



SINCE 1908  
**wessels**  
 company

**SUBMITTAL**

**GMP-SERIES**  
 GLYCOL MAKE-UP PACKAGE

Models: GMP-13050 thru GMP-15100  
 Submittal Sheet No. I-1102B Date: 4/16

Job Name _____	Submitted By _____	Date _____
Location _____	Approved By _____	Date _____
_____	Order No. _____	Date _____
Engineer _____	Notes _____	_____
Contractor _____	_____	_____
Sales Rep. _____	_____	_____

**Description**

The single GMP unit is designed to automatically supply a pressurized solution, such as glycol and water, to a closed loop heating, chilled water, snowmelt, radiant heating, sprinkler, or process control system to ensure minimum system pressure requirements are met. These systems are equipped with HOA controls, an adjustable pressure reducing valve (PRV), pressure gauge, and a low level alarm that cuts power to the pump and actuates an audible and visual alarm when solution levels are too low.

**Performance Limitations**

Maximum Temperature: 160°F  
 Factory Discharge Pressure Setting: 12 PSIG  
 Maximum Discharge Pressure: 70 PSIG\*

\*Higher Discharge pressures available.

**Available Options**

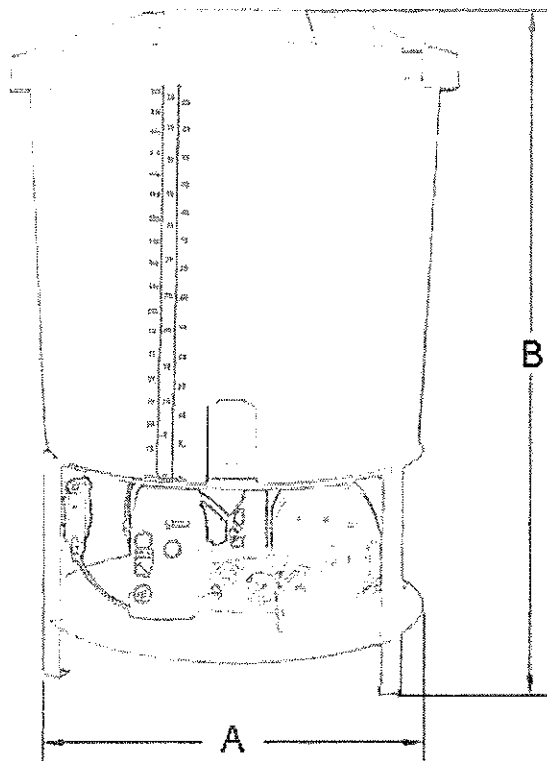
- High level alarm
- Protective skirt

Model Number	Part Number	Tank Volume (Gallons)	Tagging Information	Quantity
GMP-13050	07101052	50		
GMP-13100	07101102	100		
→ GMP-15050	07102052	50		
GMP-15100	07102102	100		

**Typical Specification**

Furnish and install, as indicated on the plans and specifications, a prefabricated, automatic and autonomous make-up package capable of producing \_\_\_\_\_ GPM at \_\_\_\_\_ psig to each glycol system. The package shall consist of a sturdy steel frame, a graduated polyethylene solution container with removable lid, and a 110V, 60Hz powered autonomous pumping assembly designed to maintain a specific fill pressure in the glycol system. The make-up package must feature a protective low water cut-off alarm, HOA controls, \_\_\_\_\_ HP (1/3 or 1/2) motor with a brass rotary vane pump, magnetic starter, pressure tank with pressure control, pressure reducing valve, pressure gauge, and a system isolation valve. A 110V signal shall be available for a remote alarm.

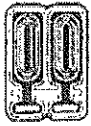
Each glycol make-up package shall be model GMP - \_\_\_\_\_ as manufactured by Wessels Company or approved equal.



GMP-13050 thru GMP-15100

**Dimensions & Weights**

Model Number	Dimensions in Inches		HP	Pressure Range (psi)	Make-Up Capacity (gpm @ psi)	Approx Shipping Weight (lbs)
	A	B				
GMP-13050	28	42	1/3	10-70	1.8 @ 70	90
GMP-13100		67				105
GMP-15050		42	1/2			95
GMP-15100		67				110



SINCE 1908  
**wessels**  
company

INSTALLATION & OPERATION  
TYPE : GLYCOL MAKE-UP PACKAGE

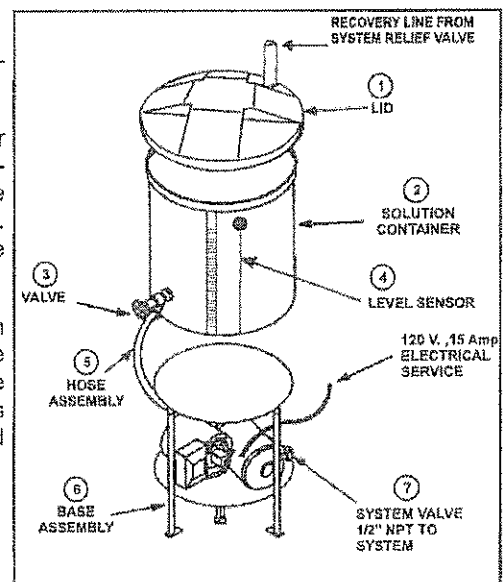
### INSTALLATION:

1. Install the make-up package base assembly (6) on a level and sturdy surface. 50 gal. unit weighs 440 lbs full of solution, 100 gal. unit weighs 843 lbs full of solution.
2. Screw the outlet valve (3) into the solution container (2) outlet. Place outlet valve (3) to the left. Connect the hose assembly (5) to the outlet valve (3).
3. Pipe-in the 1/2" FNPT System valve (7) to the System or loop to be pressurized.
4. Fill the solution container (2) with glycol and water in the proportions specified and mix.
5. Connect the panel electric cable to the junction box, according to local codes. The pump motor and the controls run on 120/1/60.
6. With the system isolation valve (7) turned "off", turn the power "on" and monitor the pump pressure: the pressure gauge should rise and the pump should stop after approximately 30 seconds. The gauge will indicate the factory PRV pressure setting. If necessary, reset the pressure reducing valve, as described on the reverse side of this form, so that this pressure is equal to the fill or minimum pressure required for the system to be pressurized.
7. Fill the System with the specified solution by other means. Make sure that the System pressure is equipped with an adequate system expansion tank and a relief valve in order to protect the closed circuit components. The relief valve outlet can be discharged through the lid (1) into the solution container for glycol recovery.
8. Open the System valve (7). The pump will cycle, as required, to maintain a positive pressure. It will not run on an empty solution container (2). During the initial purge of the System, keep a close watch on the glycol solution supply so that the container is never empty.
9. A 120 V signal is available from the low level sensor (4) for a distant alarm.

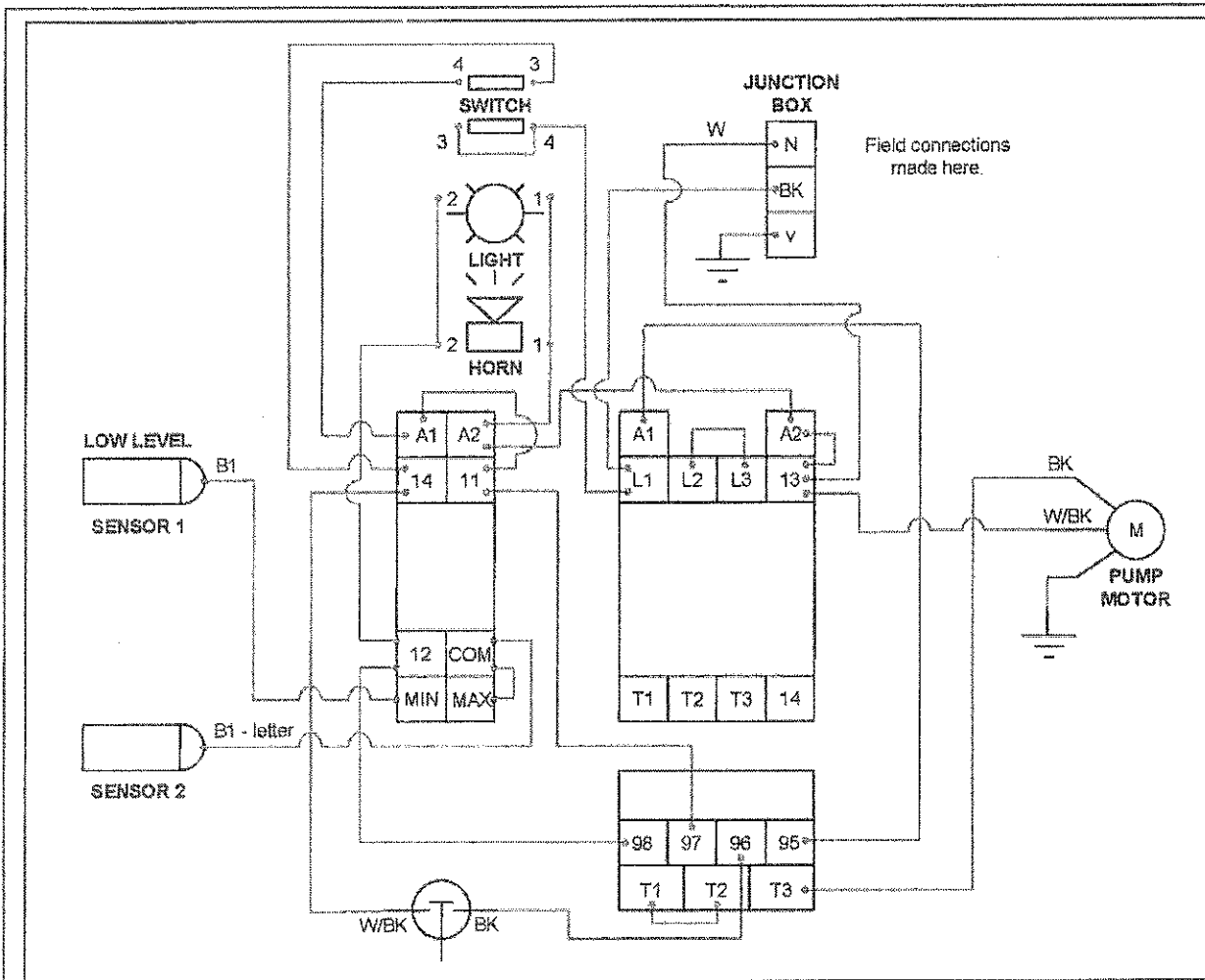
### OPERATION:

1. Once the System has been purged, the GMP will maintain the set make-up pressure automatically.
2. The GMP Series is designed to operate without the need of servicing or adjustment. No lubrication is necessary; the pump is equipped with self-lubricating carbon bearings, and the motor is a life-time lubricated type for standby make-up applications. For other service, see nameplate. The pump has a mechanical seal type which does not require adjustment.
3. Make sure that the glycol solution level in the translucent solution container (2) is adequate at all times. On GMP Series, should the solution container run dry, the pump will stop and the alarm will be activated. The audible part may be silenced; however, make sure it is turned back on after filling the tank and bleeding as in paragraphs 5 and 6 above. Always replace the lid (1) to keep the solution clean.

101 TANK ST., GREENWOOD, IN.  
tel.: (317) 888-9800  
fax: (317) 888-9988  
www.westank.com



GMPAW  
110316



### ! WARNING

To change the GMP discharge pressure to the system, adjust only the Pressure Reducing Valve (10 to 70 PSI).

### PRESSURE REDUCING VALVE ADJUSTMENT

The Pressure Reducing Valve (PRV) is factory set for a unit discharge pressure of 12 psig. If a different discharge pressure is required, adjust the PRV as follows.

#### A. INCREASING THE PRV DISCHARGE PRESSURE.

1. With the GMP unit operating, close the GMP's isolation valve (7).
2. Loosen the lock nut on the PRV adjustment screw.
3. While observing the GMP's discharge pressure gauge, turn the PRV adjustment screw in a clockwise direction until the desired operating pressure is achieved.
4. While holding the PRV adjustment screw in its new set position, tighten the lock nut.
5. Return the isolation valve to its full open position.

#### B. DECREASING THE PRV DISCHARGE PRESSURE.

1. Open the system relief valve to obtain a lower pressure than the one desired, do the steps mentioned in section "A".

### PARTS LIST

Part No.	Item	Part No.	Item
GMP-1/3STARTER	Magnetic Starter 1/3 HP	GMP-XT15	Pressure Tank
GMP-1/2STARTER	Magnetic Starter 1/2 HP	GMP-PUMP	Pump Only
GMP-LVM25	Low Level Relay	GMPMOT-3-MOTOR	1/3 HP Motor
GMP-PRV	Pressure Reducing Valve	GMPMOT-2-MOTOR	1/2 HP Motor
GMP-PSWITCH	Pressure Switch	GMP-50TANK	50 Gal. Solution Tank
GMP-GAUGE	Pressure Gauge	GMP-100TANK	100 Gal. Solution Tank

101 TANK ST., GREENWOOD, IN.

tel.: (317) 888-9800 • fax: (317) 888-9988 • www.westank.com



F.W. Webb Company  
 30 Stefanic Ave  
 Elmwood Park, NJ 07407  
 TEL# (201-796-2600)  
 FAX# (201-796-5603)

Quote  
 Number  
 53258809  
 Date  
 12/15/16

To:  
 AMCO ENTERPRISES  
 600 SWENSON DRIVE  
 KENILWORTH NJ 07033

AMCO ENTERPRISES  
 BRICK TOWNSHIP HIGH SCHOOL  
 346 CHAMBERS BRIDGE RD  
 BRICK, NJ 08724  
 BRICK TOWNSHIP BOARD OF EDUCAT  
 Contact# (908-241-4177)

(908-241-4177) Fax# (908-241-4179)  
 Cust # Customer Po# Rel# Writer Date Req  
 161434 BRICK UNG 02/01/17  
 PAGE 1 OF 1

Quoted To: MICHELLE HEATON Quoted By: UNG

\*-----\*

Quantity	Description	Net Price	Exten	Ln#
----------	-------------	-----------	-------	-----

\*-----\*

2	#RG-U-55 + MSVRG-U-55 (S3140533)	813.730	1627.46	( 1)
---	-------------------------------------	---------	---------	------

RHOMAR WATER ALUMINIUM SAFE INHIBITED  
 PROPYLENE GLYCOL RHOGARD ULTRA IS A  
 CONCENTRATED PRODUCT. IT IS AT LEAST  
 94% PROPYLENE GLYCOL WITH THE REST  
 ACCOUNTING FOR THE AQUEOUS CORROSION  
 INHIBITORS TO PROTECT SYSTEM METALS  
 FROM CORROSION. THEY USE VIRGIN  
 PROPYLENE GLYCOL IN BLENDING ALL  
 PRODUCTS. 100% PROPYLENE GLYCOL WITHOUT  
 INHIBITORS CANNOT BE CONSIDERED AS  
 BEING ALUMINIUM SAFE.

DELIVERY: 7-10 DAYS ARO  
 + FREIGHT

Sub Total:	1627.46
Tax:	0.00
Freight:	
Handling:	
Total:	1627.46

\*\*\* NUMBER OF DAYS QUOTE VALID IS 15 \*\*\*

PLEASE REFERENCE QUOTE # 53258809 FOR INQUIRIES OR ORDER OF ABOVE MATERIAL

+ THIS PRODUCT IS A SPECIAL ITEM. RESTOCKING FEES MAY APPLY.

# FAX

## TZ Electrical Contracting, LLC

License & Business Permit # 11762  
22 Sunrise Trail, Branchville, NJ 07826  
Phone: 973-948-0260  
Fax: 973-948-0263  
Email: [tzelectric@optimum.net](mailto:tzelectric@optimum.net)

TO: Amco Enterprises

FROM: Steve Woodhead

ATTN: Milan

PAGES (INCLUDING COVER): 4

FAX: \_\_\_\_\_

DATE: 12-28-16

RE: Brick HS Glycol Systems Revised

### COMMENTS

Milan

Per your submittal & boiler room drawing we will pipe & wire new circuits only for the 2 glycol systems.

Our cost to perform this work is 4,466.00

There is no control work at all in this proposal.

This is figured on normal working hours 7-3:30.

Attached is our labor & material breakdown.

Please issue a change order if you wish to proceed.

Thanks

Steve

## BID SUMMARY REPORT

Name: Estimate #18

Estimator: STEVE

Job #: 215

Job Name: Estimate #18

Contractor:

Estimator: STEVE

Notes:

Bid Date: Friday, July 17, 2015

Included	Summary Description	Extended	%	Adjusted Material	Extended	%	Adjusted Labor
<input checked="" type="checkbox"/>	Brick HS Glycol Sys Rev 1	\$454.60	100.00	\$454.60	34.41	101.71	35.00

### Top Sheet

Raw Cost	\$4,059.60	Sales Per Month	\$0.00
Tax	\$0.00	Return Per Month	\$0.00
Raw Cost With Tax	\$4,059.60	Price Per Sq Foot	\$0.00
Overhead	\$405.96	Hours Per Sq Foot	0.00
Profit	\$0.00	Square Feet	0.00
Total Return \$	\$405.96	Job Months	0.00
Total Return %	9.09	Hours per Week	40.00
Price	\$4,465.56	Workers Per Day	0.00
Bond	\$0.00	Total Hours	35.00
Sell Price	\$4,465.56	Mark Up Sales Tax?	No
Sell Adjusted By:	\$0.00	Use Bond Table?	No
Adj Sell Return	0		

Labor	Percent	Hours	Hourly	Burden		
ClassDescription	of Total	Distributed	Rate	Rate	Percent	Labor Cost
	100.00%	35.00	\$103.00	\$0.00	0.00%	\$3,605.00
<b>Totals:</b>	<b>100.00%</b>	<b>35.00</b>	<b>\$103.00</b>	<b>\$0.00</b>	<b>0.00%</b>	<b>\$3,605.00</b>

### MARK UPS

	Total		OVERHEAD		PROFIT	
	Amount	%	Amount	%	Amount	%
Materials	\$454.60	10.00%	\$500.06	0.00%	\$500.06	0.00%
Labor	\$3,605.00	10.00%	\$3,965.50	0.00%	\$3,965.50	0.00%
Supplier Quotes	\$0.00	10.00%	\$0.00	0.00%	\$0.00	0.00%
SubContractors	\$0.00	10.00%	\$0.00	0.00%	\$0.00	0.00%
Direct Job Expense	\$0.00	10.00%	\$0.00	0.00%	\$0.00	0.00%
Equipment Rental	\$0.00	10.00%	\$0.00	0.00%	\$0.00	0.00%
<b>Totals:</b>	<b>\$4,059.60</b>	<b>10.00%</b>	<b>\$4,465.56</b>	<b>0.00%</b>	<b>\$4,465.56</b>	<b>0.00%</b>

### TAX Report

	Taxed Amount	Tax Rate %	Tax Amount
Materials	\$454.60	0.00%	\$0.00
Labor	\$3,605.00	0.00%	\$0.00
Supplier Quotes	\$0.00	0.00%	\$0.00
SubContractors	\$0.00	0.00%	\$0.00
Direct Job Expense	\$0.00	0.00%	\$0.00
Equipment Rental	\$0.00	0.00%	\$0.00
			<b>Total Tax:</b>
			\$0.00

**Job Name:** Estimate #18

**Contractor:**

**Estimator:** STEVE

**Notes:**

**Bid Date:** Friday, July 17, 2015

**Report Name:** Book Price & NECA 1

Standard

## Extension Labelsets

<u>Column 1</u> <u>Combined</u>	<u>Column 2</u> <u>Combined</u>	<u>Column 3</u> <u>Combined</u>	<u>Column 4</u> <u>Combined</u>	<u>Column 5</u> <u>Combined</u>
* <none> 1	* <none> 1	* <none> 1	* Brick HS Glycol system Rev 1 1	* <none> 1

## Users

Users are Combined

**Name:**

- \* Admin
- \* STEVE

Job Name: Estimate #18

**Items+ByProducts**

Item #	Item Name	Quantity	Book Price	Ext Book Price	NECA 1	NECA 1 Ext	CCode
<b>Category: CCode = Branch Rough</b>							
1,002	3/4 EMT	140.00	\$53.00 C	\$74.20	5.00 C	7.00	cb
1,083	3/4 EMT CONN S/S	4.00	\$65.00 C	\$2.60	0.15 E	0.60	cb
1,155	3/4 EMT COUP S/S	14.00	\$90.00 C	\$12.60	0.06 E	0.84	cb
5,528	3/4 LIQUIDTIGHT FLEX	8.00	\$193.00 C	\$15.44	5.00 C	0.40	cb
5,540	3/4 LIQUIDTIGHT FLEX	4.00	\$432.00 C	\$17.28	0.18 E	0.72	cb
15,585	4/S BOX 2-1/8" DEEP	2.00	\$506.00 C	\$10.12	30.00 C	0.60	cb
15,601	4/S BLANK COVER	2.00	\$105.00 C	\$2.12	8.00 C	0.16	cb
<b>Totals for CCode</b>				<b>\$134.36</b>		<b>10.32</b>	
<b>Category: CCode = Hangers/Anchors</b>							
3,644	1/4 X 1/2 RH STOVE BOL	24.00	\$15.92 C	\$3.82	8.00 C	1.92	ch
<b>Totals for CCode</b>				<b>\$3.82</b>		<b>1.92</b>	
<b>Category: CCode = Straps</b>							
4,571	1/4-20 APP BEAM CLAM	24.00	\$210.43 C	\$50.50	30.00 C	7.20	cs
4,596	3/4 STL COND HGR W/	24.00	\$100.00 C	\$24.00	20.00 C	4.80	cs
<b>Totals for CCode</b>				<b>\$74.50</b>		<b>12.00</b>	
<b>Category: CCode = Disc/Safety Switches</b>							
10,400	30A GD 1 PH N1 NF SW	2.00	\$60.00 E	\$120.00	1.87 E	3.74	sd
<b>Totals for CCode</b>				<b>\$120.00</b>		<b>3.74</b>	
<b>Category: CCode = Lugs/Termination/Ground</b>							
5,752	12 GA TERMINATION	6.00	\$0.00 E	\$0.00	0.16 E	0.96	sl
16,895	20A 1PH EQUIP H/U 250	2.00	\$0.00 X	\$0.00	1.00 E	2.00	sl
<b>Totals for CCode</b>				<b>\$0.00</b>		<b>2.96</b>	
<b>Category: CCode = Panels/Loadcenters</b>							
9,595	QOB-120 120/240V CB	2.00	\$39.80 E	\$79.60	0.34 E	0.68	sp
<b>Totals for CCode</b>				<b>\$79.60</b>		<b>0.68</b>	
<b>Category: CCode = Branch Wire</b>							
41	12 THHN CU STRANDE	465.00	\$91.00 M	\$42.32	6.00 M	2.79	wb
<b>Totals for CCode</b>				<b>\$42.32</b>		<b>2.79</b>	
<b>Totals:</b>				<b>\$454.60</b>		<b>34.41</b>	